

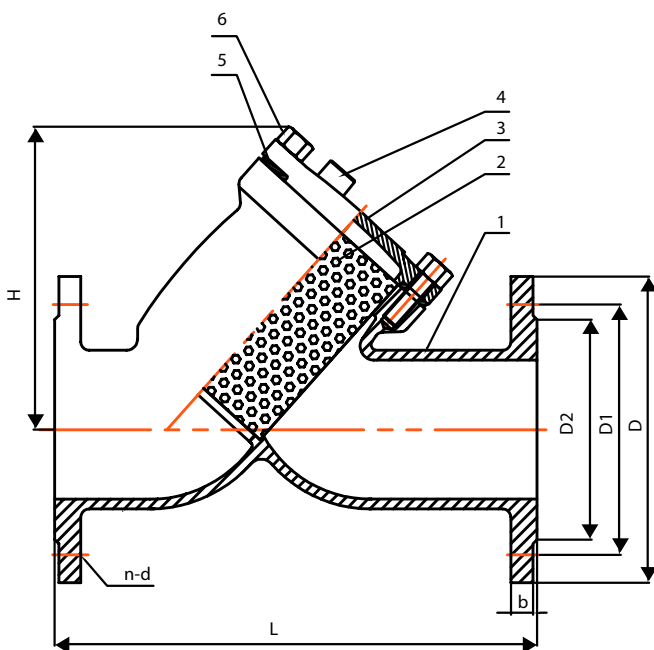
P100 Y Type Strainers

Y-type strainers are the valves that remove unwanted solid particles from liquid, gas, or steam lines. They are used to protect downstream equipment, such as pumps, meters, and control valves, from damage caused by these particles.

Y-type strainers are typically made of ductile iron, cast iron, steel, or stainless steel. They are available in a variety of sizes and materials to meet the needs of a wide range of applications.

Y-type strainers work by passing the fluid flow through a filter element. The filter element is designed to trap particles of a certain size or larger. The particles are then collected in the base of the strainer, where they can be easily removed for disposal.

Y-type strainers are typically installed in the inlet line of downstream equipment. This helps to protect the equipment from damage caused by particles that may be present in the fluid flow.



Dimensions(mm)

DN	L	D	D1 (PN10)	D1 (PN16)	D2	b	n-Ød (PN10)	n-Ød (PN16)	H
40	200	150	110	110	88	16	4-19	4-19	105
50	230	165	125	125	99	16	4-19	4-19	145
65	290	185	145	145	118	16	4-19	4-19	165
80	310	200	160	160	132	16	8-19	8-19	175
100	350	220	180	180	156	16	8-19	8-19	236
125	400	250	210	210	184	16	8-19	8-19	267
150	480	285	240	240	211	16	8-23	8-23	298
200	600	340	295	295	266	17	8-23	12-23	340
250	730	405	350	355	319	19	12-23	12-28	390
300	850	460	400	410	370	21.5	12-23	12-28	440
350	980	520	460	470	429	22.5	16-23	16-31	520
400	1100	580	515	525	480	24	16-28	16-31	630
500	1250	715	620	650	609	27.5	20-28	20-34	900

Material List

No	Name	Qty	Available Materials
1	Body	1	GGG40 / GG25 / WCB / A304 / A316
2	Screen	1	SS304 / SS316
3	Bonnet	1	GGG40 / GG25 / WCB / A304 / A216
4	Plug	1	C. Steel / St. Steel / St37
5	Bolt	1	C. Steel / St. Steel
6	Gasket	1	EPDM / PTFE / Gerit